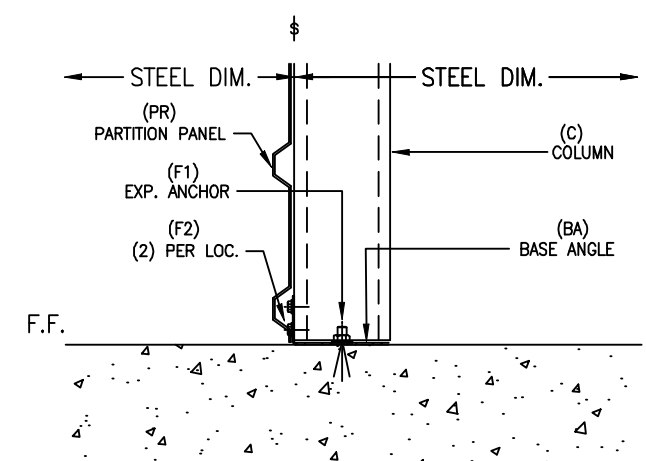
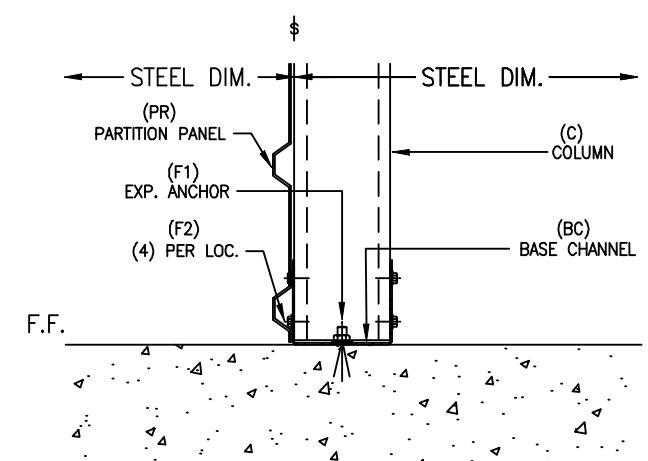


BLDG A FLOOR PLAN

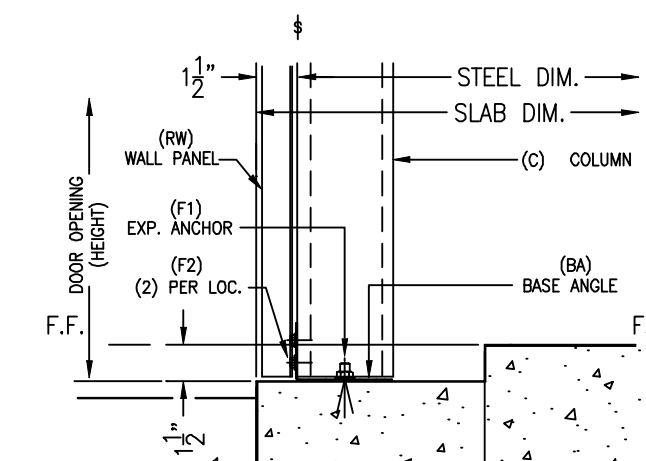
SCALE 1/8"=1'-0"



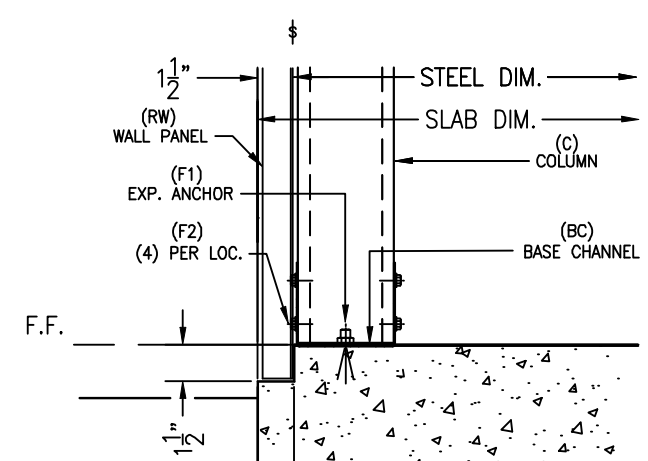
5 FLOOR BASE ANGLE AT PARTITION WALL



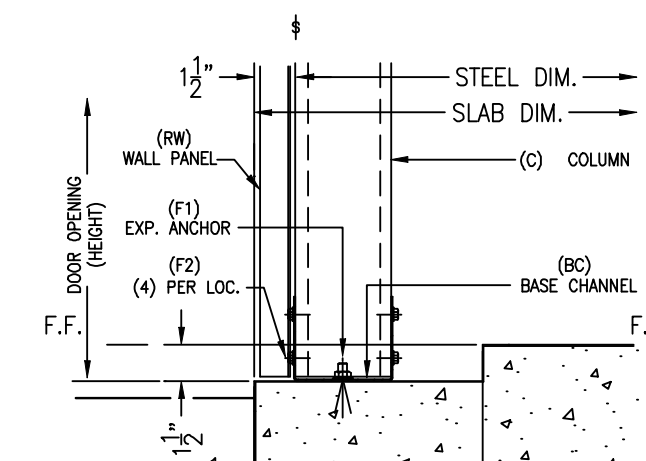
4 FLOOR BASE CHANNEL AT PARTITION WALL



3 SHEETED WALL EDGE BASE



2 WALL EDGE BASE



1 DOOR EDGE BASE

SYMBOL	DESCRIPTION	SYMBOL	DESCRIPTION
(BA)	42116R 4 X 3 X 1/2 X 16GA. ANGLE (8.9)	(BA)	FLOOR BASE ANGLE
(BC)	142516R 4 X 1/8 X 2 7/8 X 16GA. CHANNEL (9.9)	(BC)	FLOOR BASE CHANNEL
(CL)	42116R 4 X 2 X 1/2 X 16GA. ZEE (8.9)	(CL)	4" COLUMN
(CR)	262116R 6 X 2 1/2 X 1/2 X 16GA. ZEE (11.9)	(CR)	6" COLUMN
(D)	42116R 4 X 2 X 1/2 X 16GA. ZEE (8.9)	(D)	DOOR HEAD
(E)	42116R 4 X 2 X 1/2 X 16GA. ZEE (8.9)	(E)	DOOR JAMB
(F)	142516R 4 X 1/8 X 2 7/8 X 16GA. CHANNEL (9.9)	(F)	EAVE CHANNEL
(G)	142516R 4 X 1/8 X 2 7/8 X 16GA. CHANNEL (9.9)	(G)	EAVE STRUT
(H)	142516R 4 X 1/8 X 2 7/8 X 16GA. CHANNEL (9.9)	(H)	FLOOR CLIP
(I)	AS MANUFACTURED	(I)	GRIT
(J)	42116R 4 X 2 X 1/2 X 16GA. ZEE (8.9)	(J)	HALL TOP ANGLE
(K)	42116R 4 X 2 X 1/2 X 16GA. ZEE (8.9)	(K)	DOOR HEAD REINFORCEMENT
(L)	42116R 4 X 2 X 1/2 X 16GA. ZEE (8.9)	(L)	JACK RAFTER
(M)	42116R 4 X 2 X 1/2 X 16GA. ZEE (8.9)	(M)	MULLION
(N)	42116R 4 X 2 X 1/2 X 16GA. ZEE (8.9)	(N)	MINI CLIP
(O)	42116R 4 X 2 X 1/2 X 16GA. ZEE (8.9)	(O)	ROOF PURLIN
(P)	42116R 4 X 2 X 1/2 X 16GA. ZEE (8.9)	(P)	ROOF PURLIN
(Q)	42116R 4 X 2 X 1/2 X 16GA. ZEE (8.9)	(Q)	ROOF PURLIN
(R)	42116R 4 X 2 X 1/2 X 16GA. ZEE (8.9)	(R)	ROOF PURLIN
(S)	42116R 4 X 2 X 1/2 X 16GA. ZEE (8.9)	(S)	ROOF PURLIN
(T)	42116R 4 X 2 X 1/2 X 16GA. ZEE (8.9)	(T)	ROOF PURLIN
(U)	42116R 4 X 2 X 1/2 X 16GA. ZEE (8.9)	(U)	ROOF PURLIN
(V)	42116R 4 X 2 X 1/2 X 16GA. ZEE (8.9)	(V)	ROOF PURLIN
(W)	42116R 4 X 2 X 1/2 X 16GA. ZEE (8.9)	(W)	ROOF PURLIN
(X)	42116R 4 X 2 X 1/2 X 16GA. ZEE (8.9)	(X)	ROOF PURLIN
(Y)	42116R 4 X 2 X 1/2 X 16GA. ZEE (8.9)	(Y)	ROOF PURLIN
(Z)	42116R 4 X 2 X 1/2 X 16GA. ZEE (8.9)	(Z)	ROOF PURLIN

SYMBOL	DESCRIPTION
(ML)	26GA. M-LOC WALL PANEL
(PL)	26GA. PANEL-LOC WALL PANEL
(RL)	26GA. R-PANEL WALL PANEL
(RR)	26GA. PBR ROOF PANEL
(RW)	26GA. PBR WALL PANEL

SYMBOL	DESCRIPTION
(F1)	CONC. EXP. ANCHOR (SIZE BY CUSTOMER)
(F2)	12 X 1 SD TEK (PLT)
(F3)	12 X 1 SD TEK (PLT)
(F4)	12 X 2 SD TEK (PLT)
(F5)	12 X 1 1/4 WASHER TEK(OR ZAK)(PTD)
(F6)	12 X 1 1/4 WASHER TEK(OR ZAK)(PTD)(PLTD)
(F7)	12 X 1 1/4 WASHER TEK(OR ZAK)(PTD)
(F8)	14 X 7/8 WASHER TEK(OR ZAK)(PTD)
(F9)	14 X 7/8 WASHER TEK(OR ZAK)(PTD)(PLTD)
(F10)	14 X 7/8 WASHER TEK(OR ZAK)(PTD)
(F11)	1/8" POP RIVET
(F12)	12 X 1 1/4 WASHER TEK(OR ZAK)(PTD)
(F13)	12 X 1 1/4 WASHER TEK(OR ZAK)(PTD)
(F14)	14 X 7/8 WASHER TEK(OR ZAK)(PTD)
(F15)	14 X 7/8 WASHER TEK(OR ZAK)(PTD)(PLTD)
(F16)	1/8" POP RIVET

SYMBOL	DESCRIPTION
(BTR)	1" ROLL MASTIC
(CLN)	R PANEL INSIDE FOAM CLOSURE
(CLOUT)	R PANEL OUTSIDE FOAM CLOSURE
(G)	GUTTER SEAL
(IC)	R PANEL INSIDE CORNER TRIM
(ICU)	R PANEL OUTSIDE CORNER TRIM
(ICW)	DOOR CORNER MULLION
(IDK)	DOWNSPOUT WITH KICK OUT
(IDSS)	DOWNSPOUT STRAP
(IEF)	EAVE FLASHING
(IFRC)	FORMED RIDGE CAP
(ITC)	GUTTER END CAP
(ITD)	GUTTER HANGER STRAP
(ITL)	POST HUNG GUTTER
(ITM)	DOOR HEAD COVER
(ITN)	DOOR HEAD TRIM
(ITP)	HIGH EAVE TRIM

SYMBOL	DESCRIPTION
(ICB)	INSIDE CORNER BOX
(ICU)	LOW RIB INSIDE CORNER TRIM
(ICW)	DOOR JAMB TRIM
(ICX)	DOOR JAMB CAP
(ITJ)	LOW RIB HEAD AND JAMB TRIM
(IMC)	DOOR MULLION COVER TRIM
(IOC)	LOW RIB OUTSIDE CORNER TRIM
(IOCB)	OUTSIDE CORNER BOX
(IPB)	PEAK BOX
(IRK)	RAKE TRIM END CAP
(ITR)	RAKE TRIM
(ITSA)	HALL TOP ANGLE
(ITB)	ROOF TIE IN TRIM
(ITF)	ROOF STEP TRANSITION FLASHING
(ASP)	40Z TOUCH UP SPRAY PAINT

Central Storage Works
self-storage systems
By Central States Manufacturing

302 Jane Place, Lowell, AR 72745
(877)770-5206 fax (800)356-2971
www.centralstatesmfg.com

project: NEW STORAGE BUILDING PROJECT FOR:
NOT FOR CONSTRUCTION

customer: PRECONSTRUCTION REVIEW DRAWINGS

draft-ink
p.o. box 14888 springdale, mo. 65814-0888
417.887.0101 fax.888.8084

drawn	date	chkd	date
TVP	01.01.04		

sheet of
D02-06