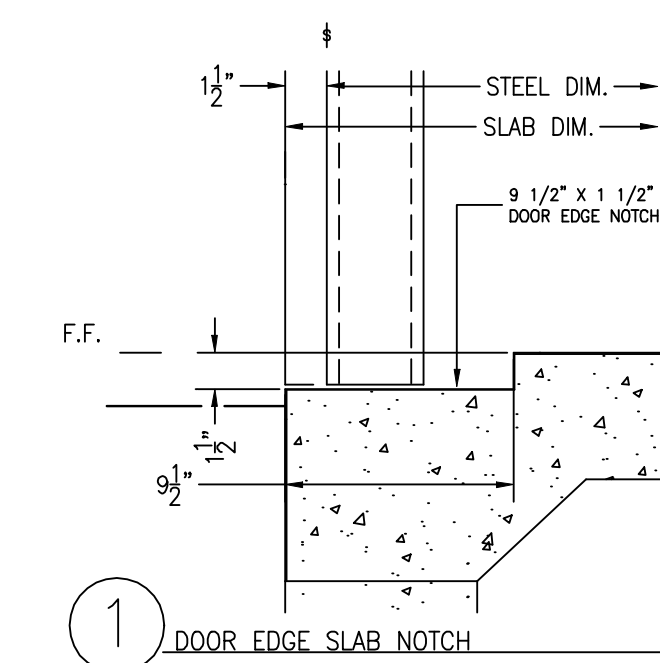
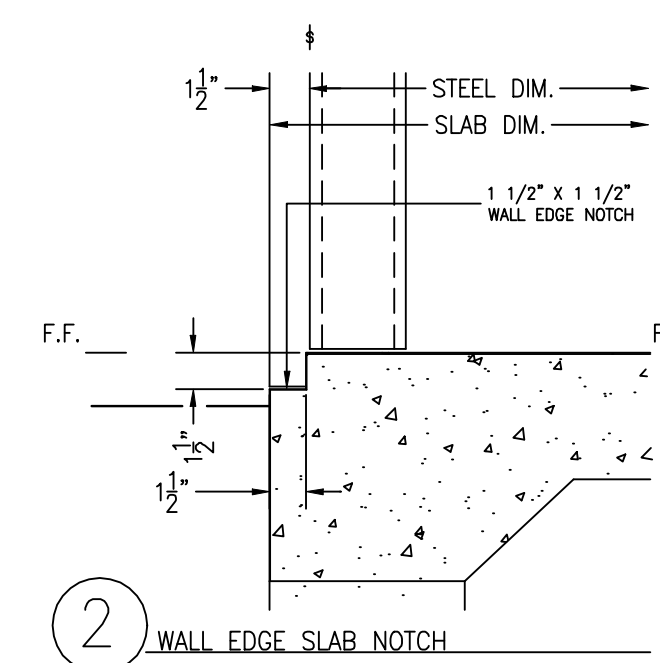


# BLDG A SLAB PLAN

SCALE 1/8"=1'-0"



**STRUCTURAL SCHEDULE**

(BA) - 8431BR 4 X 3 X 1/2\"/>	- FLOOR ANGLE
(BC) - 14251BR 4 X 1/8 X 2 7/8 X 1/2\"/>	- FLOOR BASE CHANNEL
(CA) - C421BR 4 X 2 X 1/2\"/>	- 4\"/>
(CB) - C2251BR 6 X 2 X 1/2\"/>	- 6\"/>
(CC) - C421BR 4 X 2 X 1/2\"/>	- DOOR HEAD
(CD) - C421BR 4 X 2 X 1/2\"/>	- DOOR JAMB
(CE) - 14251BR 4 X 1/8 X 2 7/8 X 1/2\"/>	- EAVE CHANNEL
(CF) - E8431BR/0 3 X 6 X 4 X 1/2\"/>	- EAVE STRUT
(CG) - AS MANUFACTURED	- FLOOR CLIP
(CH) - C421BR 4 X 2 X 1/2\"/>	- GIRT
(CI) - B421BR 4 X 2 X 1/2\"/>	- HALL TOP ANGLE
(CJ) - C421BR 4 X 2 X 1/2\"/>	- DOOR HEAD REINFORCEMENT
(CK) - C8251BR 6 X 2 X 1/2\"/>	- JACK RAFTER
(CL) - C1241BR 12 X 4 X 1/2\"/>	- MULLION
(CM) - B421BR 4 X 2 X 2 1/2\"/>	- MINN CLIP
(CN) - 24251BR 2 1/2 X 8 X 2 1/2\"/>	- ROOF PURLIN
(CO) - 26251BR 2 1/2 X 8 X 2 1/2\"/>	- ROOF PURLIN
(CP) - 26251BR 2 1/2 X 8 X 2 1/2\"/>	- ROOF PURLIN
(CQ) - B421BR 4 X 2 X 1/2\"/>	- PARTITION ANGLE
(CR) - B421BR 4 X 2 X 1/2\"/>	- RAKE ANGLE
(CS) - E8431BR/0 3 X 6 X 4 X 1/2\"/>	- ROSE STRUT

**SHEETING SCHEDULE**

(ML) - 26GA. M-LOC WALL PANEL	- FLOOR BASE CHANNEL
(PL) - 26GA. PANEL-LOC WALL PANEL	- 4\"/>
(RL) - 26GA. R-PANEL WALL PANEL	- 6\"/>
(RR) - 26GA. PBR ROOF PANEL	- DOOR HEAD
(RW) - 26GA. PBR WALL PANEL	- DOOR JAMB

**FASTENER SCHEDULE**

(F1) - CONC. EXP. ANCHOR (SIZE BY CUSTOMER)	- BASE TO SLAB CONNECTIONS
(F2) - 12 X 1 SD TEK (PLTD)	- STRUCTURAL STEEL CONNECTIONS
(F3) - 12 X 1 SD TEK (PLTD)	- PARTITION SHEETING
(F4) - 12 X 2 SD TEK (PLTD)	- PARTITION ANGLE CONNECTIONS
(F5) - 12 X 1 1/4 WASHER TEK(OR ZAK)(PTD)	- EXTERIOR WALL SHEETING
(F6) - 12 X 1 1/4 WASHER TEK(OR ZAK)(PTD)(PLTD)	- ROOF SHEETING
(F7) - 12 X 1 1/4 WASHER TEK(OR ZAK)(PTD)	- EXTERIOR WALL DRILLER
(F8) - 14 X 7/8 WASHER TEK(OR ZAK)(PTD)	- EXTERIOR WALL PANEL LAP
(F9) - 14 X 7/8 WASHER TEK(OR ZAK)(PTD)(PLTD)	- ROOF PANEL LAP
(F10) - 14 X 7/8 WASHER TEK(OR ZAK)(PTD)	- INTERIOR TRIM LAP
(F11) - 1/8 POP RIVET	- EXTERIOR TRIM
(F12) - 12 X 1 1/4 WASHER TEK(OR ZAK)(PTD)	- EXTERIOR TRIM
(F13) - 12 X 1 1/4 WASHER TEK(OR ZAK)(PTD)	- INTERIOR TRIM DRILLER
(F14) - 14 X 7/8 WASHER TEK(OR ZAK)(PTD)	- INTERIOR WALL PANEL LAP
(F15) - 14 X 7/8 WASHER TEK(OR ZAK)(PTD)(PLTD)	- INTERIOR TRIM LAP
(F16) - 1/8 POP RIVET	- INTERIOR TRIM

**TRIM SCHEDULE**

(BTR) - 1\"/>	- 1\"/>
(CLN) - R PANEL INSIDE FOAM CLOSURE	- R PANEL INSIDE FOAM CLOSURE
(CLOUT) - R PANEL OUTSIDE FOAM CLOSURE	- R PANEL OUTSIDE FOAM CLOSURE
(GECS) - GUTTER SEAL	- GUTTER SEAL
(IC) - R PANEL INSIDE CORNER TRIM	- R PANEL INSIDE CORNER TRIM
(ICD) - R PANEL OUTSIDE CORNER TRIM	- R PANEL OUTSIDE CORNER TRIM
(ICM) - DOOR CORNER MULLION	- DOOR CORNER MULLION
(TDK) - DOWNSPOUT WITH KICK OUT	- DOWNSPOUT WITH KICK OUT
(TDS) - DOWNSPOUT STRAP	- DOWNSPOUT STRAP
(TEF) - EAVE FLASHING	- EAVE FLASHING
(TRC) - FORMED ROSE CAP	- FORMED ROSE CAP
(TRD) - GUTTER END CAP	- GUTTER END CAP
(TSC) - GUTTER HANGER STRAP	- GUTTER HANGER STRAP
(TSL) - POST HUNG GUTTER	- POST HUNG GUTTER
(THC) - DOOR HEAD COVER	- DOOR HEAD COVER
(THS) - HIGH EAVE TRIM	- HIGH EAVE TRIM

**TRIM SCHEDULE**

(ICB) - INSIDE CORNER BOX	- INSIDE CORNER BOX
(ICD) - LOW RIS INSIDE CORNER TRIM	- LOW RIS INSIDE CORNER TRIM
(ICJ) - DOOR JAMB TRIM	- DOOR JAMB TRIM
(ICK) - DOOR JAMB CAP	- DOOR JAMB CAP
(ICL) - LOW RIS HEAD AND JAMB TRIM	- LOW RIS HEAD AND JAMB TRIM
(ICM) - DOOR MULLION COVER TRIM	- DOOR MULLION COVER TRIM
(ICN) - LOW RIS OUTSIDE CORNER TRIM	- LOW RIS OUTSIDE CORNER TRIM
(ICOB) - OUTSIDE CORNER BOX	- OUTSIDE CORNER BOX
(ICP) - PEAK BOX	- PEAK BOX
(ICQ) - RAKE TRIM END CAP	- RAKE TRIM END CAP
(ICR) - RAKE TRIM	- RAKE TRIM
(ICS) - HALL TOP TRIM	- HALL TOP TRIM
(ICT) - ROOF TIE IN TRIM	- ROOF TIE IN TRIM
(ICTS) - ROOF STEP TRANSITION FLASHING	- ROOF STEP TRANSITION FLASHING
(ASP) - 40Z TOUCH UP SPRAY PAINT	- 40Z TOUCH UP SPRAY PAINT

**Central Storage Works**  
self-storage systems  
By Central States Manufacturing

302 Jane Place, Lowell, AR 72745  
(877)770-5206 fax (800)356-2971  
www.centralstatesmfg.com

**project:** NEW STORAGE BUILDING PROJECT FOR:  
NOT FOR CONSTRUCTION

**customer:** PRECONSTRUCTION REVIEW DRAWINGS

01.01.04

**draft-ink**  
p.o. box 14888 springdale, mo. 65814-0888  
417.887.0101 fax.888.8084

drawn	date	chkd	date
TVP	01.01.04		

sheet of  
**D01-06**