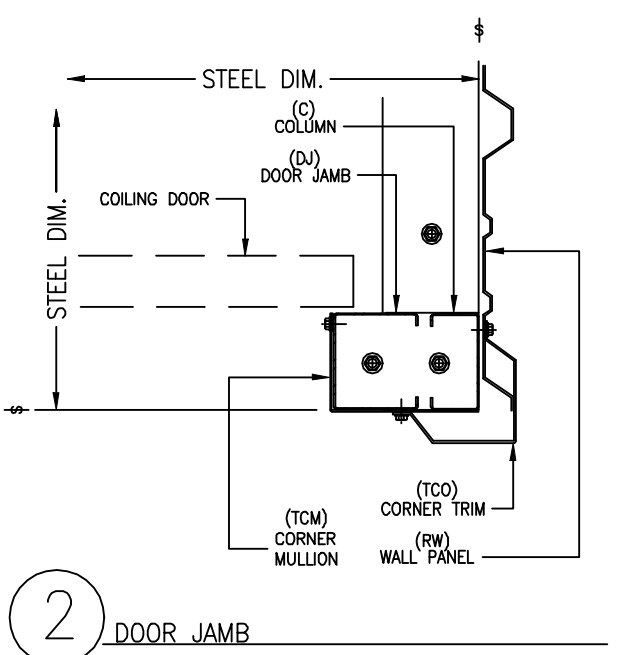
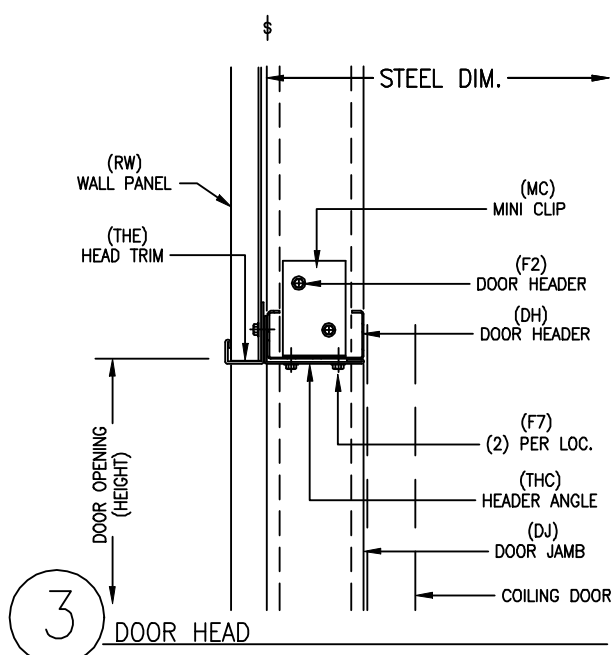
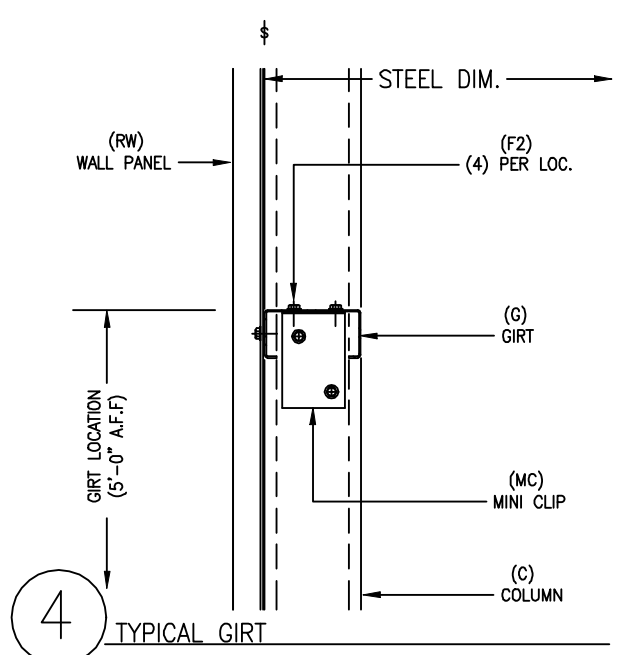
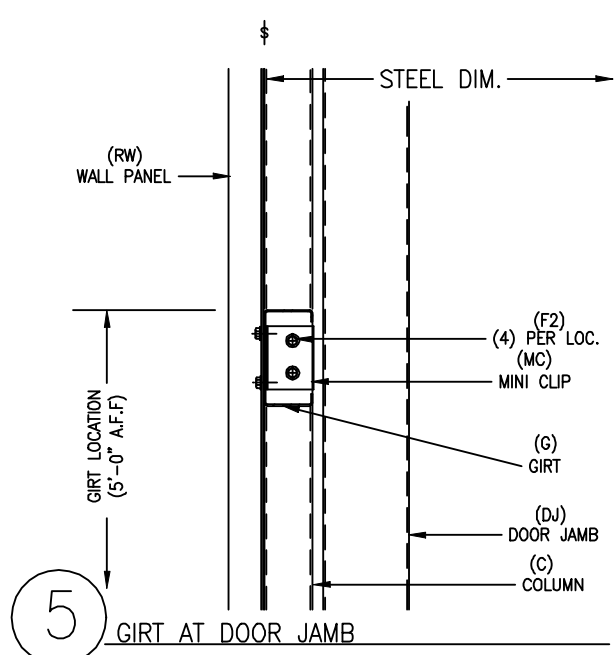
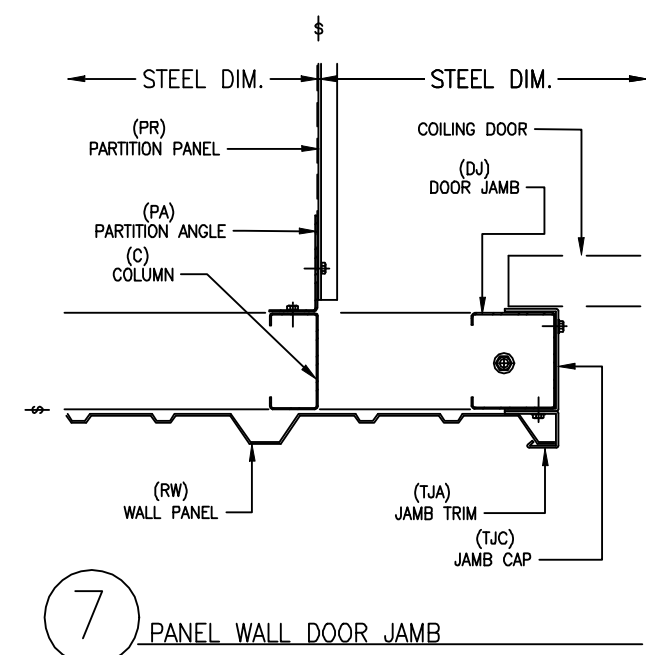


BLDG A  
FRAMING PLAN  
SCALE 1/8"=1'-0"



**STRUCTURAL SCHEDULE**

(BA) - 8431BR 4 X 3 X 1/2 X 16GA ANGLE (8.9)	- FLOOR BASE ANGLE
(BC) - 14251BR 4 X 1/8 X 2 X 7/8 X 16GA CHANNEL (8.9)	- FLOOR BASE CHANNEL
(BD) - C421BR 4 X 2 X 16GA ZEE (8.9)	- 4" COLUMN
(BE) - C251BR 6 X 2 X 1/2 X 16GA ZEE (11.9)	- 6" COLUMN
(BF) - C411BR 4 X 2 X 16GA ZEE (8.9)	- DOOR HEAD
(BG) - C4251BR 4 X 1/8 X 2 X 7/8 X 16GA CHANNEL (8.9)	- DOOR JAMB
(BH) - E8431BR/2.3 X 6 X 4 X 16GA STRUT (13.9)	- EAVE CHANNEL
(BI) - AS MANUFACTURED	- EAVE STRUT
(BJ) - C421BR 4 X 2 X 16GA ZEE (8.9)	- FLOOR CLIP
(BK) - C421BR 4 X 2 X 16GA ZEE (8.9)	- GIRT
(BL) - C421BR 4 X 2 X 16GA ZEE (8.9)	- HALL TOP ANGLE
(BM) - C421BR 4 X 2 X 16GA ZEE (8.9)	- DOOR HEAD REINFORCEMENT
(BN) - C251BR 6 X 2 X 1/2 X 16GA ZEE (11.9)	- JACK RAFTER
(BO) - C1241BR 12 X 4 X 1/2 X 16GA ZEE (20.9)	- MULLION
(BP) - B421BR 4 X 2 X 2 1/2 X 16GA ANGLE (5.9)	- MINI CLIP
(BQ) - 24251BR 2 1/2 X 8 X 2 1/2 X 1/2 X 16GA ZEE (9.9)	- ROOF PURLIN
(BR) - 26251BR 2 1/2 X 8 X 2 1/2 X 1/2 X 16GA ZEE (11.9)	- ROOF PURLIN
(BS) - 28251BR 2 1/2 X 8 X 2 1/2 X 1/2 X 16GA ZEE (13.9)	- ROOF PURLIN
(BT) - B421BR 4 X 2 X 16GA ANGLE (5.9)	- PARTITION ANGLE
(BU) - B421BR 4 X 2 X 16GA ANGLE (5.9)	- RAKE ANGLE
(BV) - E8431BR/2.3 X 6 X 4 X 16GA STRUT (13.9)	- ROSE STRUT

**SHEETING SCHEDULE**

(ML) - 28GA M-LOC WALL PANEL	- 28GA M-LOC WALL PANEL
(PL) - 28GA PANEL-LOC WALL PANEL	- 28GA PANEL-LOC WALL PANEL
(RL) - 28GA R PANEL WALL PANEL	- 28GA R PANEL WALL PANEL
(RR) - 28GA PBR ROOF PANEL	- 28GA PBR ROOF PANEL
(RW) - 28GA PBR WALL PANEL	- 28GA PBR WALL PANEL

**FASTENER SCHEDULE**

(F1) - CONC. EXP. ANCHOR (SIZE BY CUSTOMER)	- CONC. EXP. ANCHOR (SIZE BY CUSTOMER)
(F2) - 12 X 1 SD TEK (PLT)	- 12 X 1 SD TEK (PLT)
(F3) - 12 X 1 SD TEK (PLT)	- 12 X 1 SD TEK (PLT)
(F4) - 12 X 2 SD TEK (PLT)	- 12 X 2 SD TEK (PLT)
(F5) - 12 X 1 1/4 WASHER TEK (OR ZAK) (PTD)	- 12 X 1 1/4 WASHER TEK (OR ZAK) (PTD)
(F6) - 12 X 1 1/4 WASHER TEK (OR ZAK) (PLTD)	- 12 X 1 1/4 WASHER TEK (OR ZAK) (PLTD)
(F7) - 12 X 1 1/4 WASHER TEK (OR ZAK) (PTD)	- 12 X 1 1/4 WASHER TEK (OR ZAK) (PTD)
(F8) - 14 X 7/8 WASHER TEK (OR ZAK) (PTD)	- 14 X 7/8 WASHER TEK (OR ZAK) (PTD)
(F9) - 14 X 7/8 WASHER TEK (OR ZAK) (PLTD)	- 14 X 7/8 WASHER TEK (OR ZAK) (PLTD)
(F10) - 14 X 7/8 WASHER TEK (OR ZAK) (PTD)	- 14 X 7/8 WASHER TEK (OR ZAK) (PTD)
(F11) - 1/8 POP RIVET	- 1/8 POP RIVET
(F12) - 12 X 1 1/4 WASHER TEK (OR ZAK) (PTD)	- 12 X 1 1/4 WASHER TEK (OR ZAK) (PTD)
(F13) - 12 X 1 1/4 WASHER TEK (OR ZAK) (PTD)	- 12 X 1 1/4 WASHER TEK (OR ZAK) (PTD)
(F14) - 14 X 7/8 WASHER TEK (OR ZAK) (PTD)	- 14 X 7/8 WASHER TEK (OR ZAK) (PTD)
(F15) - 14 X 7/8 WASHER TEK (OR ZAK) (PLTD)	- 14 X 7/8 WASHER TEK (OR ZAK) (PLTD)
(F16) - 1/8 POP RIVET	- 1/8 POP RIVET

**BASE TO SLAB CONNECTIONS**

(S1) - STRUCTURE, STEEL CONNECTIONS	- STRUCTURE, STEEL CONNECTIONS
(S2) - PARTITION SHEETING	- PARTITION SHEETING
(S3) - PARTITION ANGLE CONNECTIONS	- PARTITION ANGLE CONNECTIONS
(S4) - EXTERIOR WALL SHEETING	- EXTERIOR WALL SHEETING
(S5) - EXTERIOR TRIM DRILLER	- EXTERIOR TRIM DRILLER
(S6) - EXTERIOR WALL PANEL LAP	- EXTERIOR WALL PANEL LAP
(S7) - EXTERIOR TRIM LAP	- EXTERIOR TRIM LAP
(S8) - INTERIOR TRIM LAP	- INTERIOR TRIM LAP
(S9) - INTERIOR TRIM	- INTERIOR TRIM
(S10) - INTERIOR WALL SHEETING	- INTERIOR WALL SHEETING
(S11) - INTERIOR TRIM DRILLER	- INTERIOR TRIM DRILLER
(S12) - INTERIOR WALL PANEL LAP	- INTERIOR WALL PANEL LAP
(S13) - INTERIOR TRIM LAP	- INTERIOR TRIM LAP
(S14) - INTERIOR TRIM	- INTERIOR TRIM

**TRIM SCHEDULE**

(BTR) - 1" ROLL MASTIC	- 1" ROLL MASTIC
(CLN) - R PANEL INSIDE FOAM CLOSURE	- R PANEL INSIDE FOAM CLOSURE
(CLOUT) - R PANEL OUTSIDE FOAM CLOSURE	- R PANEL OUTSIDE FOAM CLOSURE
(G) - GUTTER SEAL	- GUTTER SEAL
(IC) - R PANEL INSIDE CORNER TRIM	- R PANEL INSIDE CORNER TRIM
(ICM) - R PANEL OUTSIDE CORNER TRIM	- R PANEL OUTSIDE CORNER TRIM
(TCM) - DOOR CORNER MULLION	- DOOR CORNER MULLION
(TDC) - DOWNSPOUT WITH KICK OUT	- DOWNSPOUT WITH KICK OUT
(TDS) - FORMED RIDGE CAP	- FORMED RIDGE CAP
(TEF) - EAVE FLASHING	- EAVE FLASHING
(TRC) - FORMED RIDGE CAP	- FORMED RIDGE CAP
(TRC) - GUTTER HANGER STRAP	- GUTTER HANGER STRAP
(TRC) - POST HUNG GUTTER	- POST HUNG GUTTER
(THC) - DOOR HEAD COVER	- DOOR HEAD COVER
(THS) - HIGH EAVE TRIM	- HIGH EAVE TRIM

**TRIM SCHEDULE**

(TCS) - INSIDE CORNER BOX	- INSIDE CORNER BOX
(TCS) - LOW RIS INSIDE CORNER TRIM	- LOW RIS INSIDE CORNER TRIM
(TJA) - DOOR JAMB TRIM	- DOOR JAMB TRIM
(TJC) - DOOR JAMB CAP	- DOOR JAMB CAP
(TJT) - LOW RIS HEAD AND JAMB TRIM	- LOW RIS HEAD AND JAMB TRIM
(TMC) - DOOR MULLION COVER TRIM	- DOOR MULLION COVER TRIM
(TCC) - LOW RIS OUTSIDE CORNER TRIM	- LOW RIS OUTSIDE CORNER TRIM
(TCCB) - OUTSIDE CORNER BOX	- OUTSIDE CORNER BOX
(TCS) - PEAK BOX	- PEAK BOX
(TRC) - RAKE TRIM END CAP	- RAKE TRIM END CAP
(TRC) - RAKE TRIM	- RAKE TRIM
(TSA) - HALL TOP TRIM	- HALL TOP TRIM
(TT) - ROOF TIE IN TRIM	- ROOF TIE IN TRIM
(TTS) - ROOF STEP TRANSITION FLASHING	- ROOF STEP TRANSITION FLASHING
(ASP) - 40Z TOUCH UP SPRAY PAINT	- 40Z TOUCH UP SPRAY PAINT

**Central States Works**  
self-storage systems  
By Central States Manufacturing

302 Jane Place, Lowell, AR 72745  
(877)770-5206 fax (800)356-2971  
www.centralstatesmfg.com

**project-** NOT FOR CONSTRUCTION

**customer-** PRECONSTRUCTION REVIEW DRAWINGS

**draft-ink**  
p.o. box 14888 springfield, mo. 65814-0888  
417.887.0101 fax.888.9064

drawn	date	chkd	date
TVP	01.01.04		

**sheet of**  
**D03-06**