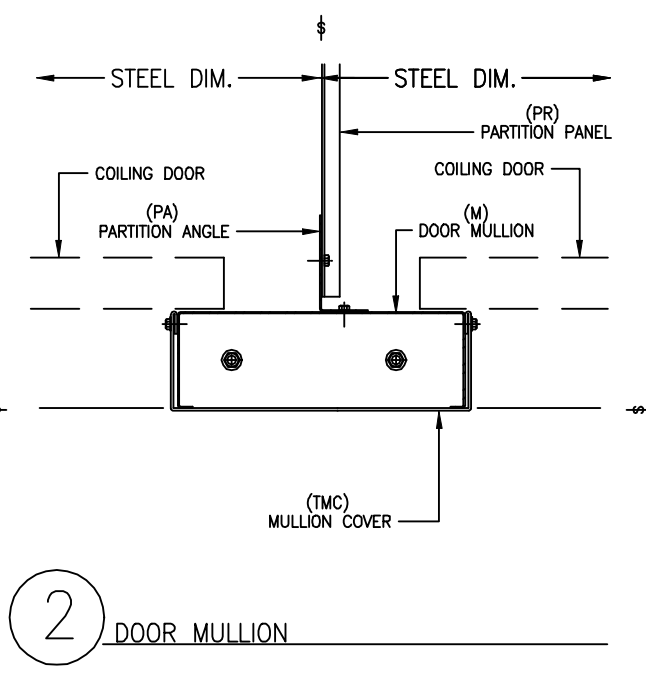
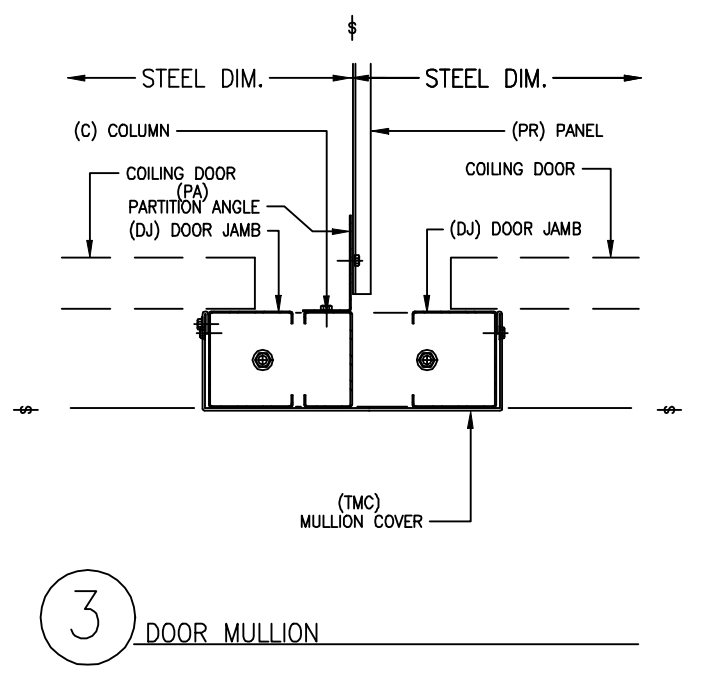
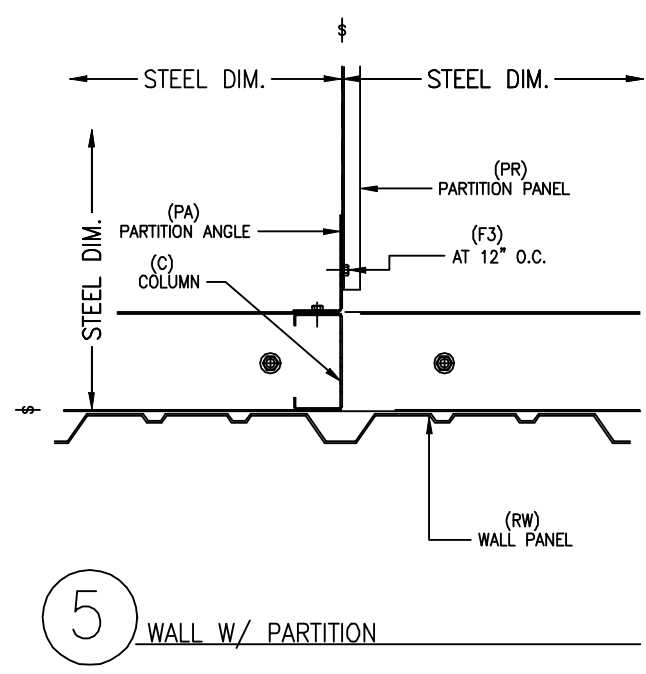
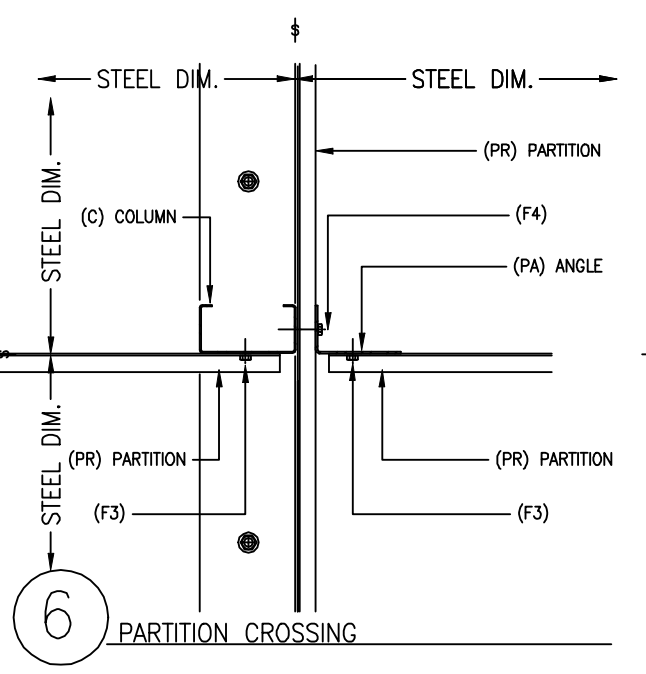
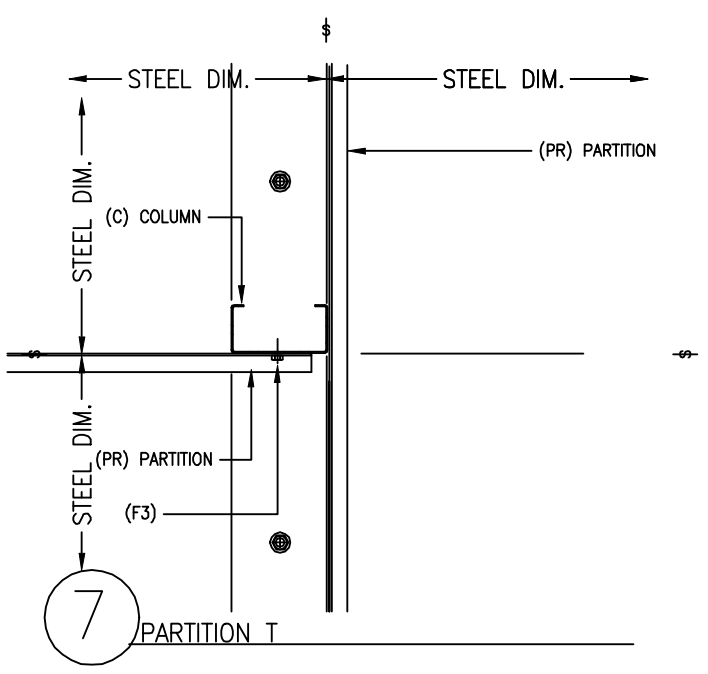
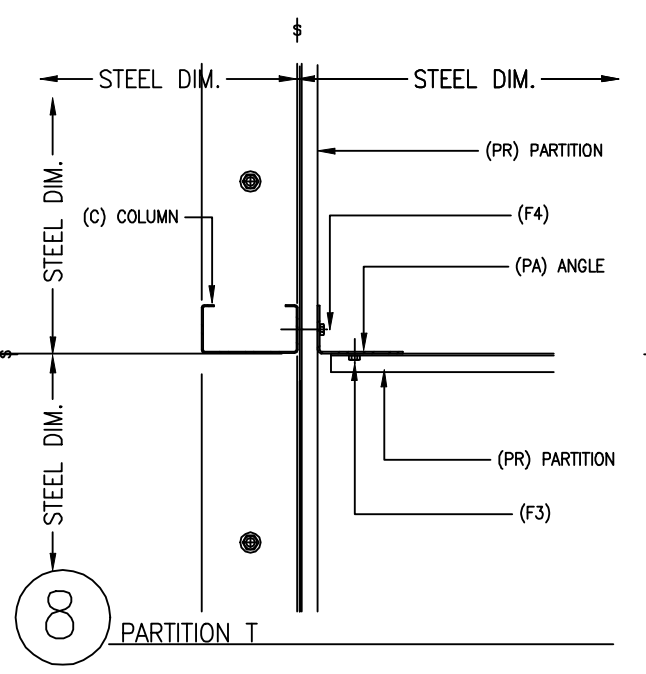


# BLDG A PARTITION PLAN

SCALE 1/8"=1'-0"



**STRUCTURAL SCHEDULE**

(BA)	- 8431BR 4 X 3 X 16GA ANGLE (8.9)	- FLOOR BASE ANGLE
(BC)	- 14251BR 4 X 1/8 X 2 7/8 X 16GA CHANNEL (8.9)	- FLOOR BASE CHANNEL
(BD)	- C421BR 4 X 2 X 16GA CEE (8.9)	- 4" COLUMN
(BE)	- C251BR 6 X 2 1/2 X 16GA CEE (11.9)	- 6" COLUMN
(BF)	- C421BR 4 X 2 X 16GA CEE (8.9)	- DOOR HEAD
(BG)	- C4251BR 4 X 1/8 X 2 7/8 X 16GA CHANNEL (8.9)	- DOOR JAMB
(BH)	- E4431BR/0 3 X 6 X 4 X 16GA STRUT (13.9)	- EAVE CHANNEL
(BI)	- AS MANUFACTURED	- EAVE STRUT
(BJ)	- C421BR 4 X 2 X 16GA CEE (8.9)	- FLOOR CLIP
(BK)	- C421BR 4 X 2 X 16GA CEE (8.9)	- GUT
(BL)	- C821BR 4 X 2 X 16GA ANGLE (5.9)	- DOOR HEAD REINFORCEMENT
(BM)	- C1241BR 12 X 4 X 16GA CEE (20.9)	- JACK RAFTER
(BN)	- C421BR 4 X 2 X 16GA CEE (8.9)	- MULLION
(BO)	- C421BR 4 X 2 X 16GA ANGLE (5.9)	- MIN CLIP
(BP)	- C251BR 6 X 2 1/2 X 16GA CEE (11.9)	- ROOF PURLIN
(BQ)	- C251BR 2 1/2 X 8 X 2 1/2 X 16GA ZEE (11.9)	- ROOF PURLIN
(BR)	- C421BR 4 X 2 X 16GA ANGLE (5.9)	- ROOF PURLIN
(BS)	- C421BR 4 X 2 X 16GA ANGLE (5.9)	- PARTITION ANGLE
(BT)	- E4431BR/0 3 X 6 X 4 X 16GA STRUT (13.9)	- RAKE ANGLE
(BU)	- E4431BR/0 3 X 6 X 4 X 16GA STRUT (13.9)	- ROOF STRUT

**SHEETING SCHEDULE**

(ML)	- 26GA M-LOC WALL PANEL	- BASE TO SLAB CONNECTIONS
(PL)	- 26GA PANEL-LOC WALL PANEL	- STRUCTURAL STEEL CONNECTIONS
(RL)	- 26GA R-PANEL WALL PANEL	- PARTITION SHEETING
(RW)	- 26GA PBR ROOF PANEL	- PARTITION ANGLE CONNECTIONS
(RW)	- 26GA PBR WALL PANEL	- EXTERIOR WALL SHEETING
		- ROOF SHEETING
		- EXTERIOR TRIM DRILLER
		- EXTERIOR WALL PANEL LAP
		- ROOF PANEL LAP
		- INTERIOR TRIM LAP
		- EXTERIOR TRIM
		- INTERIOR WALL SHEETING
		- INTERIOR TRIM DRILLER
		- INTERIOR WALL PANEL LAP
		- INTERIOR TRIM LAP
		- INTERIOR TRIM

**FASTENER SCHEDULE**

(F1)	- CONC. EXP. ANCHOR (SIZE BY CUSTOMER)	- BASE TO SLAB CONNECTIONS
(F2)	- 12 X 1 SD TEK (PLT)	- STRUCTURAL STEEL CONNECTIONS
(F3)	- 12 X 1 SD TEK (PLT)	- PARTITION SHEETING
(F4)	- 12 X 2 SD TEK (PLT)	- PARTITION ANGLE CONNECTIONS
(F5)	- 12 X 1 1/4 WASHER TEK(OH ZAK)(PTD)	- EXTERIOR WALL SHEETING
(F6)	- 12 X 1 1/4 WASHER TEK(OH ZAK)(PLTD)	- ROOF SHEETING
(F7)	- 12 X 1 1/4 WASHER TEK(OH ZAK)(PTD)	- EXTERIOR TRIM DRILLER
(F8)	- 14 X 7/8 WASHER TEK(OH ZAK)(PTD)	- EXTERIOR WALL PANEL LAP
(F9)	- 14 X 7/8 WASHER TEK(OH ZAK)(PLTD)	- ROOF PANEL LAP
(F10)	- 14 X 7/8 WASHER TEK(OH ZAK)(PTD)	- INTERIOR TRIM LAP
(F11)	- 1/8 POP RIVET	- EXTERIOR TRIM
(F12)	- 12 X 1 1/4 WASHER TEK(OH ZAK)(PTD)	- INTERIOR WALL SHEETING
(F13)	- 12 X 1 1/4 WASHER TEK(OH ZAK)(PTD)	- INTERIOR TRIM DRILLER
(F14)	- 14 X 7/8 WASHER TEK(OH ZAK)(PTD)	- INTERIOR WALL PANEL LAP
(F15)	- 14 X 7/8 WASHER TEK(OH ZAK)(PLTD)	- INTERIOR TRIM LAP
(F16)	- 1/8 POP RIVET	- INTERIOR TRIM

**TRIM SCHEDULE**

(BTR)	- 1" ROLL MASTIC	- INSIDE CORNER BOX
(CLW)	- R PANEL INSIDE FOAM CLOSURE	- LOW RIS INSIDE CORNER TRIM
(CLOUT)	- R PANEL OUTSIDE FOAM CLOSURE	- DOOR JAMB TRIM
(CUT)	- R PANEL INSIDE CORNER TRIM	- DOOR JAMB CAP
(ICU)	- R PANEL OUTSIDE CORNER TRIM	- LOW RIS HEAD AND JAMB TRIM
(ICW)	- DOOR CORNER MULLION	- DOOR MULLION COVER TRIM
(TDK)	- DOWNSPOUT WITH KICK OUT	- LOW RIS OUTSIDE CORNER TRIM
(TDS)	- DOWNSPOUT STRAP	- OUTSIDE CORNER BOX
(TEF)	- EAVE FLASHING	- PEAK BOX
(TRC)	- FORMED ROOF CAP	- RAKE TRIM END CAP
(TRD)	- RAKE TRIM	- RAKE TRIM
(TSA)	- HALL TOP TRIM	- HALL TOP TRIM
(TTR)	- ROOF TIE IN TRIM	- ROOF TIE IN TRIM
(TTR)	- ROOF STEP TRANSITION FLASHING	- ROOF STEP TRANSITION FLASHING
(ASP)	- 40Z TOUCH UP SPRAY PAINT	- 40Z TOUCH UP SPRAY PAINT

**TRIM SCHEDULE**

(BTR)	- 1" ROLL MASTIC	- INSIDE CORNER BOX
(CLW)	- R PANEL INSIDE FOAM CLOSURE	- LOW RIS INSIDE CORNER TRIM
(CLOUT)	- R PANEL OUTSIDE FOAM CLOSURE	- DOOR JAMB TRIM
(CUT)	- R PANEL INSIDE CORNER TRIM	- DOOR JAMB CAP
(ICU)	- R PANEL OUTSIDE CORNER TRIM	- LOW RIS HEAD AND JAMB TRIM
(ICW)	- DOOR CORNER MULLION	- DOOR MULLION COVER TRIM
(TDK)	- DOWNSPOUT WITH KICK OUT	- LOW RIS OUTSIDE CORNER TRIM
(TDS)	- DOWNSPOUT STRAP	- OUTSIDE CORNER BOX
(TEF)	- EAVE FLASHING	- PEAK BOX
(TRC)	- FORMED ROOF CAP	- RAKE TRIM END CAP
(TRD)	- RAKE TRIM	- RAKE TRIM
(TSA)	- HALL TOP TRIM	- HALL TOP TRIM
(TTR)	- ROOF TIE IN TRIM	- ROOF TIE IN TRIM
(TTR)	- ROOF STEP TRANSITION FLASHING	- ROOF STEP TRANSITION FLASHING
(ASP)	- 40Z TOUCH UP SPRAY PAINT	- 40Z TOUCH UP SPRAY PAINT

**TRIM SCHEDULE**

(BTR)	- 1" ROLL MASTIC	- INSIDE CORNER BOX
(CLW)	- R PANEL INSIDE FOAM CLOSURE	- LOW RIS INSIDE CORNER TRIM
(CLOUT)	- R PANEL OUTSIDE FOAM CLOSURE	- DOOR JAMB TRIM
(CUT)	- R PANEL INSIDE CORNER TRIM	- DOOR JAMB CAP
(ICU)	- R PANEL OUTSIDE CORNER TRIM	- LOW RIS HEAD AND JAMB TRIM
(ICW)	- DOOR CORNER MULLION	- DOOR MULLION COVER TRIM
(TDK)	- DOWNSPOUT WITH KICK OUT	- LOW RIS OUTSIDE CORNER TRIM
(TDS)	- DOWNSPOUT STRAP	- OUTSIDE CORNER BOX
(TEF)	- EAVE FLASHING	- PEAK BOX
(TRC)	- FORMED ROOF CAP	- RAKE TRIM END CAP
(TRD)	- RAKE TRIM	- RAKE TRIM
(TSA)	- HALL TOP TRIM	- HALL TOP TRIM
(TTR)	- ROOF TIE IN TRIM	- ROOF TIE IN TRIM
(TTR)	- ROOF STEP TRANSITION FLASHING	- ROOF STEP TRANSITION FLASHING
(ASP)	- 40Z TOUCH UP SPRAY PAINT	- 40Z TOUCH UP SPRAY PAINT

**Central Storage Works**  
self-storage systems  
By Central States Manufacturing

302 Jane Place, Lowell, AR 72745  
(877)770-5206 fax (800)356-2971  
www.centralstatesmfg.com

**project-** NEW STORAGE BUILDING PROJECT FOR:  
NOT FOR CONSTRUCTION

**customer-** PRECONSTRUCTION REVIEW DRAWINGS

drawn date chkt date  
TYP 01.01.04

**draft-ink**  
p.o. box 14888 springfield, mo. 65814-0888  
417.887.0101 fax.888.9064

sheet of  
**D04-06**