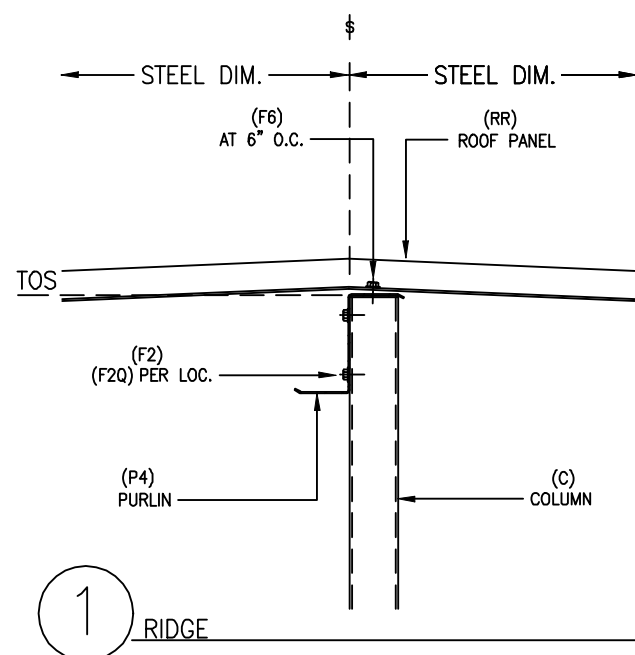
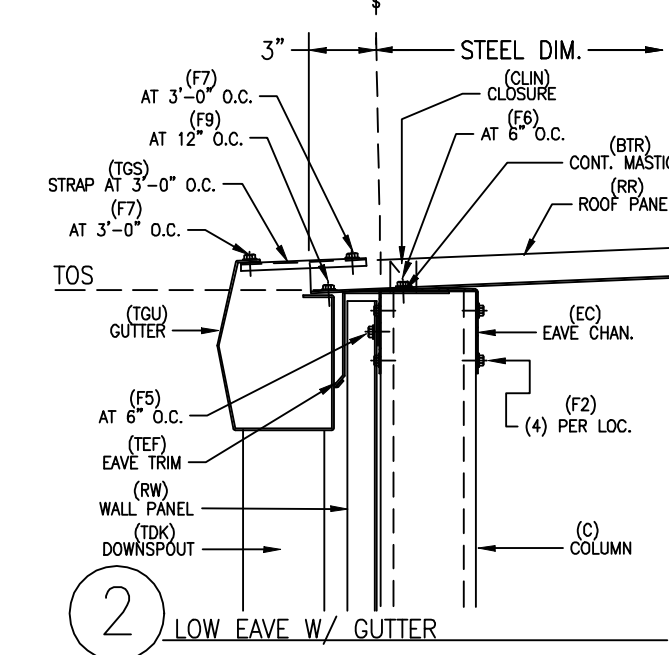
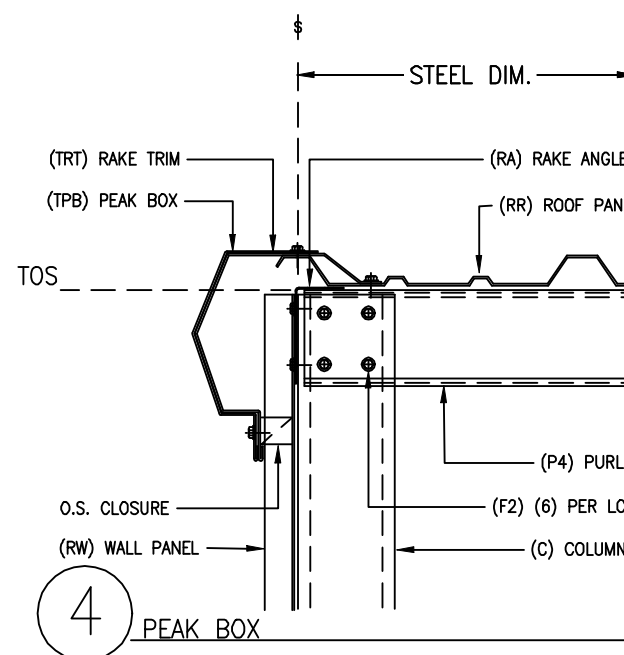
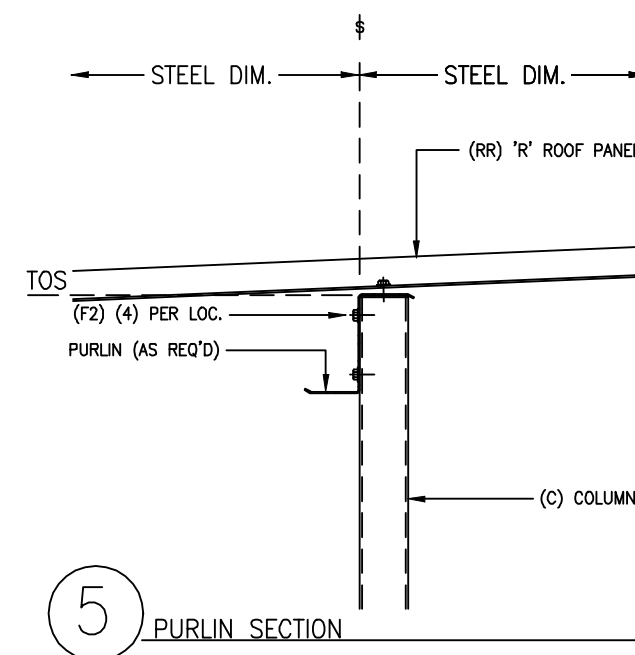
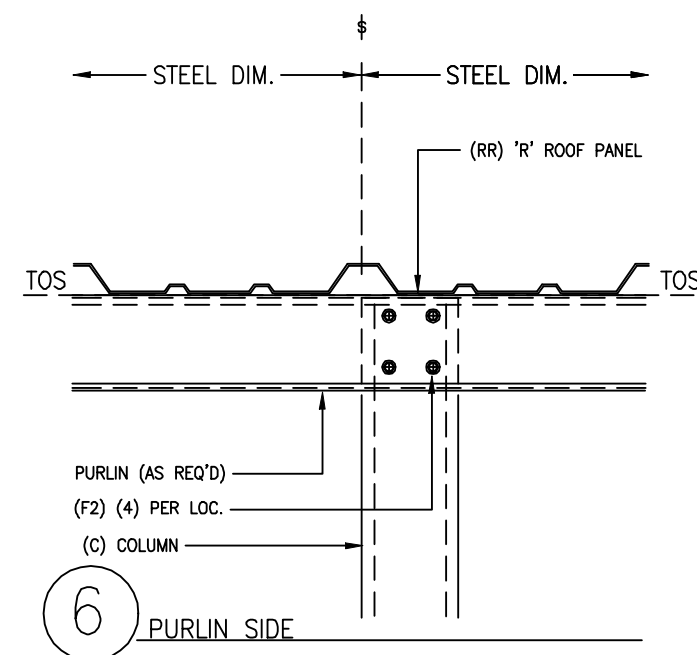
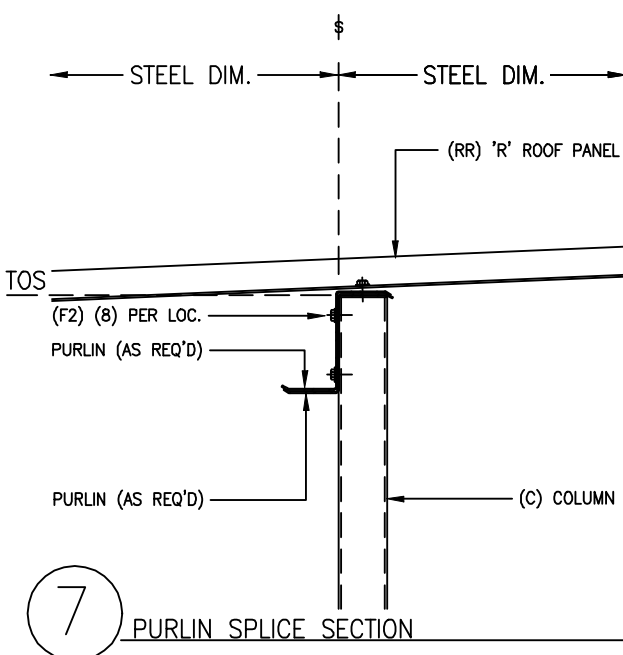
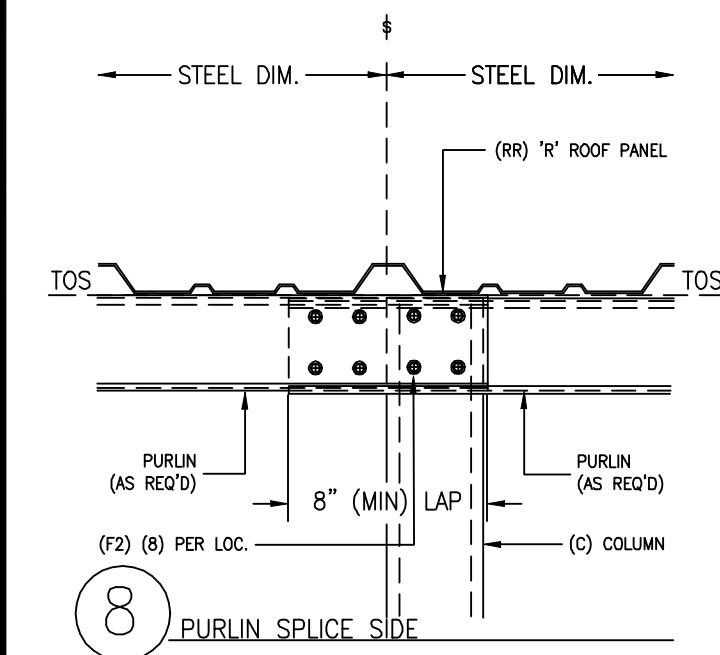


BLDG A ROOF PLAN

SCALE 1/8" = 1'-0"



ITEM	DESCRIPTION	ITEM	DESCRIPTION
(BA)	8421BR 4 X 2 X 1/2 X 16GA ANGLE (8.9)	(F1)	CONC. EXP. ANCHOR (SIZE BY CUSTOMER)
(BB)	14251BR 4 X 1/8 X 2 7/8 X 16GA CHANNEL (9.9)	(F2)	12 X 1 SD TEK (PLT)
(BC)	C421BR 4 X 2 X 16GA CEE (8.9)	(F3)	12 X 1 SD TEK (PLT)
(BD)	C2521BR 6 X 2 1/2 X 16GA CEE (11.9)	(F4)	12 X 1 1/4 WASHER TEK(OR ZAK)(PTD)
(BE)	C421BR 4 X 2 X 16GA CEE (8.9)	(F5)	12 X 1 1/4 WASHER TEK(OR ZAK)(PTD)
(BF)	14251BR 4 X 1/8 X 2 7/8 X 16GA CHANNEL (9.9)	(F6)	14 X 7/8 WASHER TEK(OR ZAK)(PTD)
(BG)	C421BR 4 X 2 X 16GA CEE (8.9)	(F7)	14 X 7/8 WASHER TEK(OR ZAK)(PTD)
(BH)	E8431BR/20 3 X 6 X 4 X 16GA STRUT (13.9)	(F8)	1/8 POP RIVET
(BI)	AS MANUFACTURED	(F9)	12 X 1 1/4 WASHER TEK(OR ZAK)(PTD)
(BJ)	C421BR 4 X 2 X 16GA CEE (8.9)	(F10)	12 X 1 1/4 WASHER TEK(OR ZAK)(PTD)
(BK)	C421BR 4 X 2 X 16GA CEE (8.9)	(F11)	12 X 1 1/4 WASHER TEK(OR ZAK)(PTD)
(BL)	C2521BR 6 X 2 1/2 X 16GA CEE (11.9)	(F12)	12 X 1 1/4 WASHER TEK(OR ZAK)(PTD)
(BM)	C1241BR 12 X 4 X 2 X 16GA CEE (20.9)	(F13)	14 X 7/8 WASHER TEK(OR ZAK)(PTD)
(BN)	MULLION	(F14)	14 X 7/8 WASHER TEK(OR ZAK)(PTD)
(BO)	MINI CLIP	(F15)	14 X 7/8 WASHER TEK(OR ZAK)(PTD)
(BP)	ROOF PURLIN	(F16)	1/8 POP RIVET
(BQ)	ROOF PURLIN		
(BR)	ROOF PURLIN		
(BS)	ROOF PURLIN		
(BT)	ROOF PURLIN		
(BU)	ROOF PURLIN		
(BV)	ROOF PURLIN		
(BW)	ROOF PURLIN		
(BX)	ROOF PURLIN		
(BY)	ROOF PURLIN		
(BZ)	ROOF PURLIN		
(C)	28GA. PBR ROOF PANEL		
(D)	28GA. PBR ROOF PANEL		
(E)	28GA. PBR ROOF PANEL		
(F)	28GA. PBR ROOF PANEL		
(G)	28GA. PBR ROOF PANEL		
(H)	28GA. PBR ROOF PANEL		
(I)	28GA. PBR ROOF PANEL		
(J)	28GA. PBR ROOF PANEL		
(K)	28GA. PBR ROOF PANEL		
(L)	28GA. PBR ROOF PANEL		
(M)	28GA. PBR ROOF PANEL		
(N)	28GA. PBR ROOF PANEL		
(O)	28GA. PBR ROOF PANEL		
(P)	28GA. PBR ROOF PANEL		
(Q)	28GA. PBR ROOF PANEL		
(R)	28GA. PBR ROOF PANEL		
(S)	28GA. PBR ROOF PANEL		
(T)	28GA. PBR ROOF PANEL		
(U)	28GA. PBR ROOF PANEL		
(V)	28GA. PBR ROOF PANEL		
(W)	28GA. PBR ROOF PANEL		
(X)	28GA. PBR ROOF PANEL		
(Y)	28GA. PBR ROOF PANEL		
(Z)	28GA. PBR ROOF PANEL		

ITEM	DESCRIPTION
(ML)	28GA. M-LOC WALL PANEL
(NL)	28GA. R-LOC WALL PANEL
(OL)	28GA. PANEL-LOC WALL PANEL
(PL)	28GA. R PANEL WALL PANEL
(RL)	28GA. PBR ROOF PANEL
(WL)	28GA. PBR WALL PANEL

ITEM	DESCRIPTION
(F1)	CONC. EXP. ANCHOR (SIZE BY CUSTOMER)
(F2)	12 X 1 SD TEK (PLT)
(F3)	12 X 1 SD TEK (PLT)
(F4)	12 X 1 1/4 WASHER TEK(OR ZAK)(PTD)
(F5)	12 X 1 1/4 WASHER TEK(OR ZAK)(PTD)
(F6)	14 X 7/8 WASHER TEK(OR ZAK)(PTD)
(F7)	14 X 7/8 WASHER TEK(OR ZAK)(PTD)
(F8)	1/8 POP RIVET
(F9)	12 X 1 1/4 WASHER TEK(OR ZAK)(PTD)
(F10)	12 X 1 1/4 WASHER TEK(OR ZAK)(PTD)
(F11)	12 X 1 1/4 WASHER TEK(OR ZAK)(PTD)
(F12)	12 X 1 1/4 WASHER TEK(OR ZAK)(PTD)
(F13)	14 X 7/8 WASHER TEK(OR ZAK)(PTD)
(F14)	14 X 7/8 WASHER TEK(OR ZAK)(PTD)
(F15)	14 X 7/8 WASHER TEK(OR ZAK)(PTD)
(F16)	1/8 POP RIVET

ITEM	DESCRIPTION
(B)	BASE TO SLAB CONNECTIONS
(C)	STRUCTURAL STEEL CONNECTIONS
(D)	PARTITION SHEETING
(E)	PARTITION ANGLE CONNECTIONS
(F)	EXTERIOR WALL SHEETING
(G)	ROOF SHEETING
(H)	EXTERIOR WALL PANEL LAP
(I)	ROOF PANEL LAP
(J)	EXTERIOR TRIM LAP
(K)	EXTERIOR TRIM
(L)	INTERIOR WALL SHEETING
(M)	INTERIOR TRIM DRILLER
(N)	INTERIOR WALL PANEL LAP
(O)	INTERIOR TRIM LAP
(P)	INTERIOR TRIM

ITEM	DESCRIPTION
(BTR)	1" ROLL MASTIC
(CLN)	R PANEL INSIDE FOAM CLOSURE
(CLOUT)	R PANEL INSIDE FOAM CLOSURE
(GUT)	GUTTER SEAL
(IC)	R PANEL INSIDE CORNER TRIM
(ICU)	R PANEL INSIDE CORNER TRIM
(ICW)	R PANEL INSIDE CORNER TRIM
(TDK)	DOWNSPOUT WITH KICK OUT
(TDS)	DOWNSPOUT STRAP
(TEF)	EAVE FLASHING
(TRC)	FORMED RIDGE CAP
(TRD)	GUTTER END CAP
(TSC)	GUTTER HANGER STRAP
(TSD)	POST HUNG GUTTER
(TSH)	DOOR HEAD COVER
(TSS)	DOOR HEAD TRIM
(TST)	HIGH EAVE TRIM

ITEM	DESCRIPTION
(ICB)	INSIDE CORNER BOX
(ICU)	LOW RIS INSIDE CORNER TRIM
(ISA)	DOOR JAMB TRIM
(TSC)	DOOR JAMB CAP
(TST)	DOOR JAMB AND JAMB TRIM
(TTC)	DOOR MULLION COVER TRIM
(TTC)	LOW RIS OUTSIDE CORNER TRIM
(TOCB)	OUTSIDE CORNER BOX
(TRC)	RAKE TRIM END CAP
(TRD)	RAKE TRIM
(TSA)	HALL TOP TRIM
(TT)	ROOF TIE IN TRIM
(TTR)	ROOF STEP TRANSITION FLASHING
(ASP)	40Z TOUCH UP SPRAY PAINT

Central States Works
self-storage systems
By Central States Manufacturing

302 Jane Place, Lowell, AR 72745
(877)770-5206 fax (800)356-2971
www.centralstatesmfg.com

project: NEW STORAGE BUILDING PROJECT FOR:
NOT FOR CONSTRUCTION

customer: PRECONSTRUCTION REVIEW DRAWINGS

draft-ink
p.o. box 14888 springfield, mo. 65814-0888
417.887.0101 fax.888.9064

drawn	date	chkt	date
TVP	01.01.04		

sheet of
D05-06